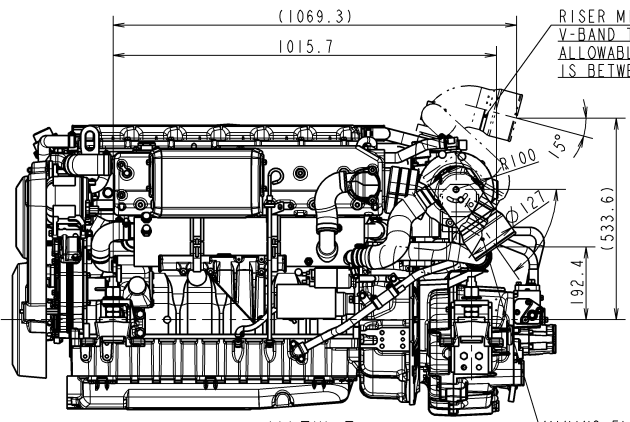
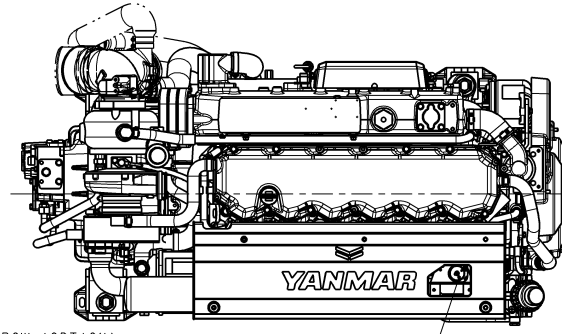


C A R E E R

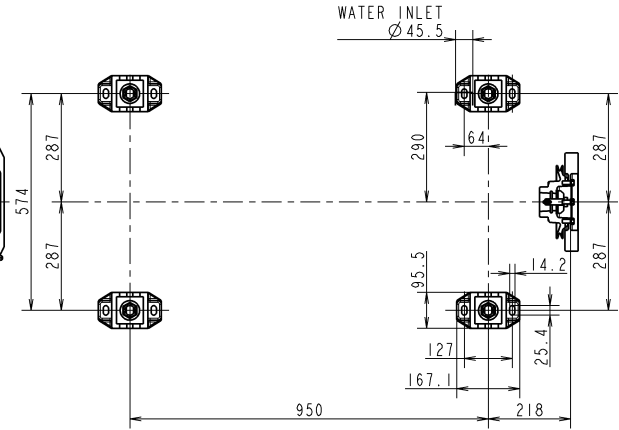


VIEW B

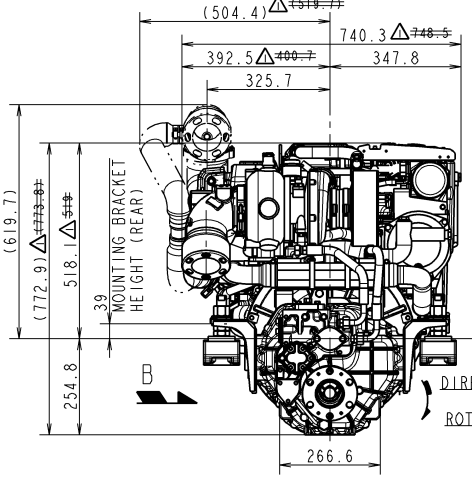
RISER MIXING ELBOW (OPTION)
V-BAND TYPE AT EXHAUST INLET.
ALLOWABLE INSTALLATION ANGLE
IS BETWEEN 15° TO 65°



EMERGENCY STOP SWITCH

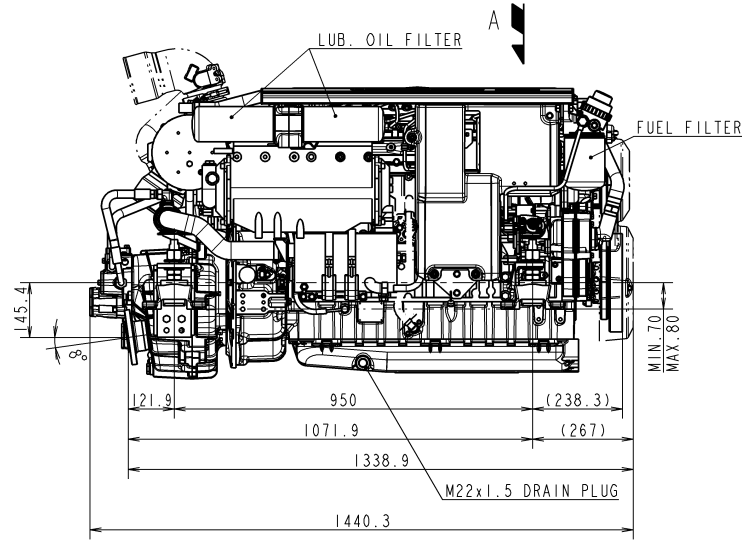


VIEW A

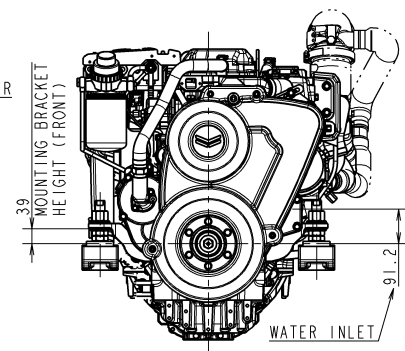


MOUNTING BRACKET HEIGHT (REAR)

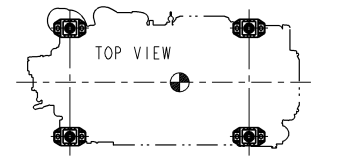
DIRECTION OF ROTATION



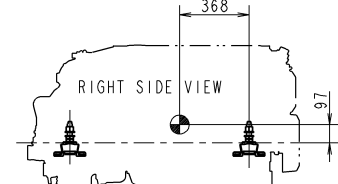
DIRECTION OF ROTATION



MOUNTING BRACKET HEIGHT (FRONT)

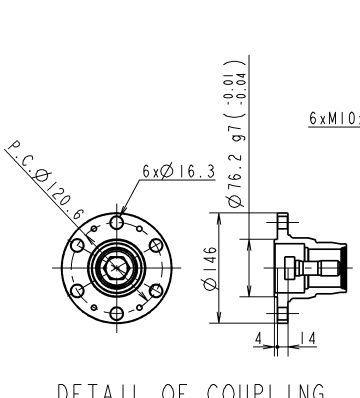


TOP VIEW

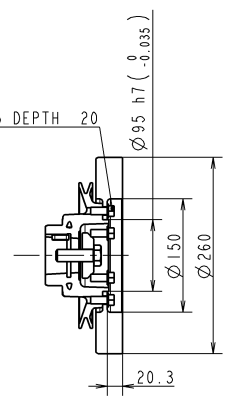


RIGHT SIDE VIEW

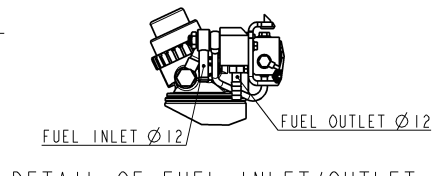
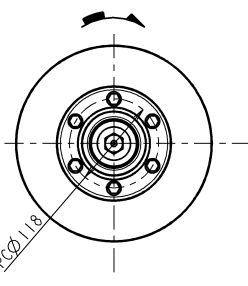
CENTER OF GRAVITY SCALE 1:20



DETAIL OF COUPLING SCALE 1:5



DETAIL OF FRONT COUPLING SCALE 1:5



DETAIL OF FUEL INLET/OUTLET SCALE 1:5

6LY440 x KMH61A
6LY400 x KMH61A
BARRY CONTROL MOUNT

量産用 FOR MASS PRODUCTION

MANAGER

野村

SEC. MANAGER 前谷	MODEL 6LY440	QTY —	SCALE 1:10 (1:5)
CHECKED 中村幸	SPECIALIST	MATERIAL	
DESIGNED 廣松	DRAWN 大橋	DATE: Y.M.D 2015.06.15	NAME 6LY440/400 X KMH61A OUTLINE
<p>YANMAR</p> <p>YANMAR CO., LTD. DEVELOPMENT DIV.</p>			<p>REV. 11</p> <p>B2-19581-0020</p> <p>DRAWN SIZE A2</p>

3D-CAD
NOTICE
GEOMETRICAL TOLERANCE
KIND OF TOLERANCE
SYMBOL
SURFACE TOLERANCE
DIMENSIONAL TOLERANCE
FORM TOLERANCE
POSITIONAL TOLERANCE
SURFACE TOLERANCE
DIMENSIONAL TOLERANCE
FORM TOLERANCE
POSITIONAL TOLERANCE
SURFACE TOLERANCE
DIMENSIONAL TOLERANCE
FORM TOLERANCE
POSITIONAL TOLERANCE