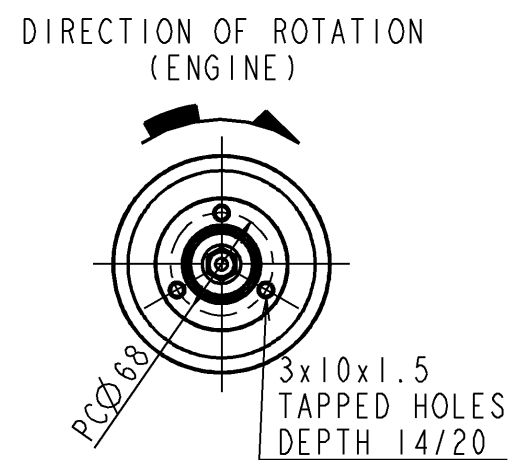
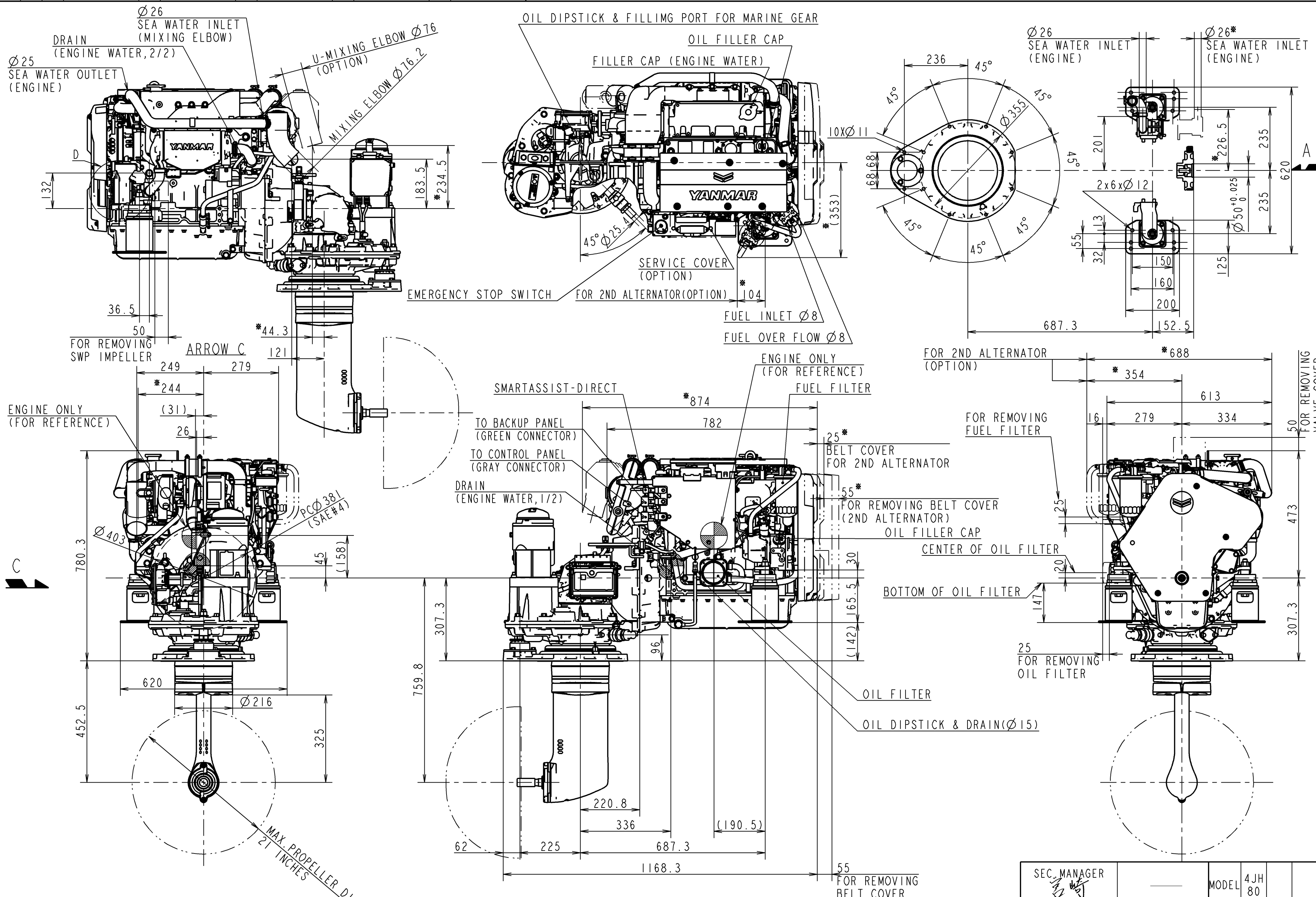
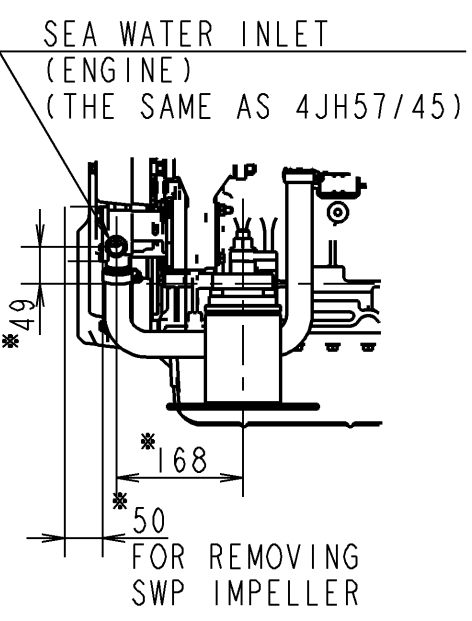


CAREER

(YDSBD-18025)



DETAIL OF PULLEY SCALE 1:5 ARROW A



PART D FRONT MOUNT SWP (OPTION)

NOTE
 1. MOUNTING BLOCKS ARE COMPRESSED ABOUT 2mm BY ENGINE WEIGHT.
 DIMENSIONS OF MOUNTING BLOCK IN THIS DRAWING ARE WITHOUT ANY DEFORMATION.
 2. MOUNTING BLOCKS ARE EQUIPPED FOR STANDARD ACCESSORY.
 3. THE FIGURES MARKED WITH * SHOW THE DIMENSIONS WITH U-MIXING ELBOW, OR OPTIONAL PARTS.
 4. ● SHOWS THE CENTER OF GRAVITY.

SPECIFICATIONS		
Model	4JH80	
Continuous Power (ISO 8665)	kW/min ⁻¹ 53.5 / 3101	
Fuel Stop Power	Propeller shaft (ISO 8665)	kW/min ⁻¹ ---
	Crankshaft (ISO 8665)	kW/min ⁻¹ 58.8 / 3200
Reduction ratio	2.49	
Dry mass	kg Approx. 342	
Direction of rotation at Propeller (Forward)	BOTH	

SEC. MANAGER 山口	MODEL 4JH80	SCALE 1:10
CHECKED 北本	SPECIALIST	QTY -
DESIGNED K. Shiga	DRAWN F. kishida	DATE: Y.M.D 2019.2.5
NAME OUTLINE, 4JH80-SPP		MATERIAL
YANMAR		CODE B2-29676-0070
YANMAR CO.,LTD. DEVELOPMENT DIV.		DRAW SIZE A2

MANAGER
山口

3D-CAD
 NOTICE
 GEOMETRICAL TOLERANCE SYMBOL
 KIND OF TOLERANCE
 SURFACE TOLERANCE
 FINISH TOLERANCE
 POSITIONAL TOLERANCE
 PROFILE OF LINE TOLERANCE
 PERIODICITY TOLERANCE
 FORM
 RUN-OUT LOCATION ORIENTATION
 STRAIGHTNESS TOLERANCE
 CIRCULARITY TOLERANCE
 TOTAL RUN-OUT TOLERANCE