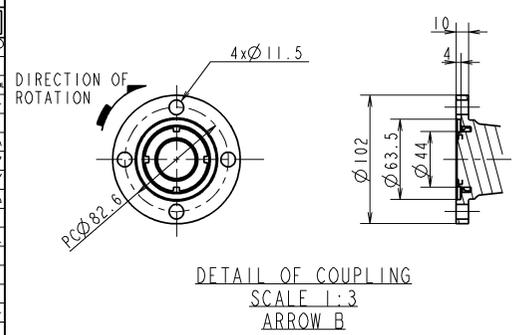
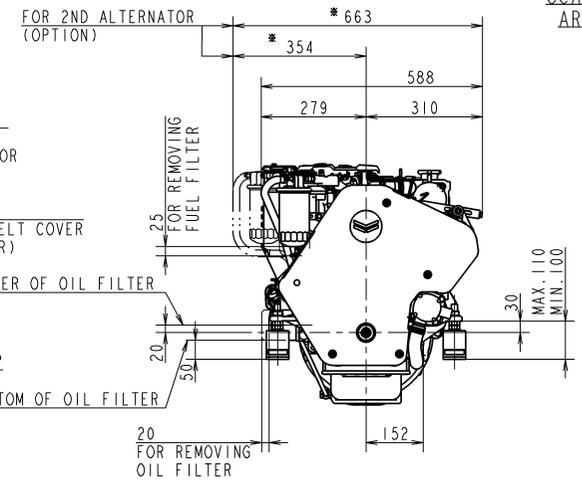
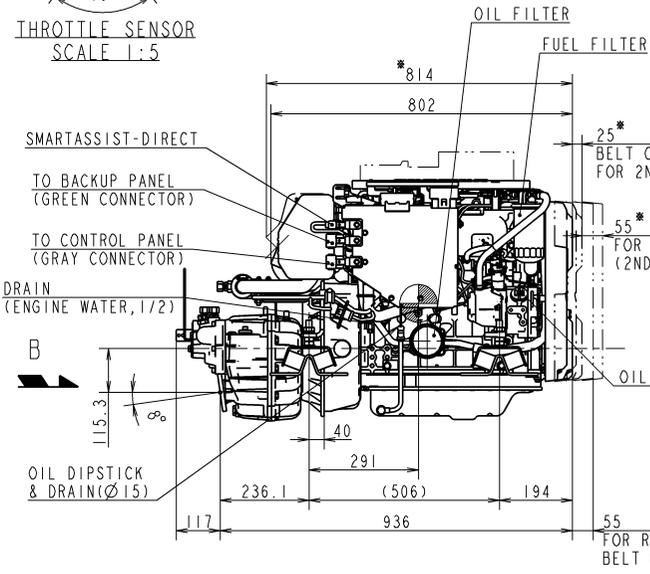
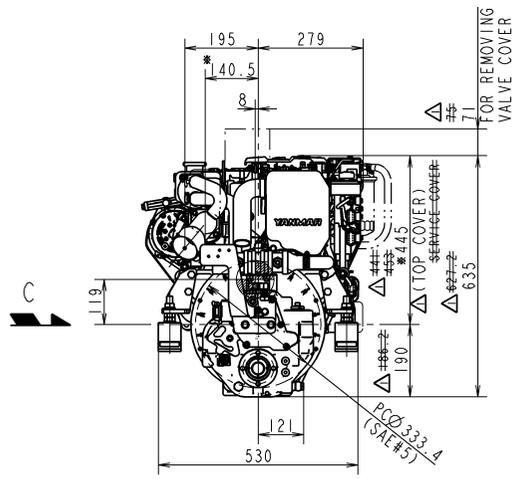
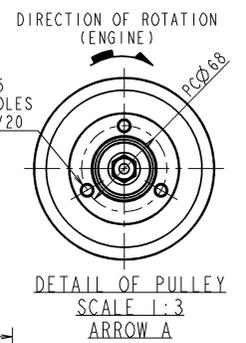
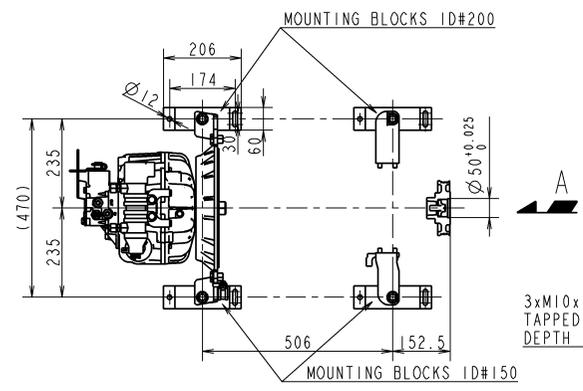
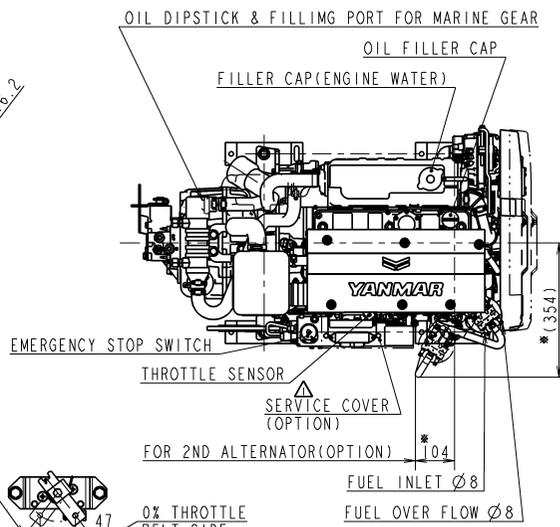
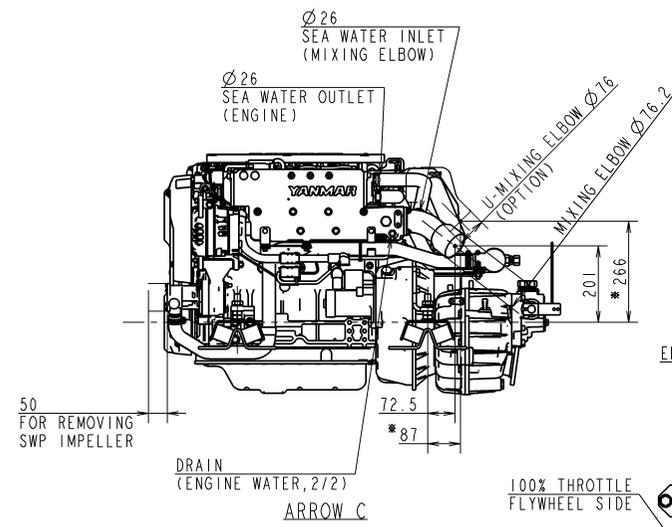


CAREER

(YDSBD-16002)  
REV.1(2018.3.20) CHANGE TOP COVER AND BELT COVER (YDSBD-18002)



NOTE  
1. MOUNTING BLOCKS ARE COMPRESSED ABOUT 4mm BY ENGINE WEIGHT.  
2. DIMENSIONS OF MOUNTING BLOCK IN THIS DRAWING ARE WITHOUT ANY DEFORMATION.  
3. THE FIGURES MARKED WITH \* SHOW THE DIMENSIONS WITH U-MIXING ELBOW OR OPTIONAL PARTS.  
4. ● SHOWS THE CENTER OF GRAVITY.

SPECIFICATIONS		4JH57	4JH45
Model		4JH57	4JH45
Continuous Power (ISO 8665)	kw/min <sup>-1</sup>	38.1 / 2907	30.1 / 2907
Fuel Stop Power	Propeller shaft (ISO 8665) kw/min <sup>-1</sup>	---	---
	Crankshaft (ISO 8665) kw/min <sup>-1</sup>	41.9 / 3000	33.1 / 3000
Reduction ratio		1.93   2.29   2.48   2.71	1.93   2.29   2.48   2.71
Dry mass kg		Approx. 253	
Direction of rotation at output coupling (Forward)		clockwise	

SEC. MANAGER 北本		MODEL	4JH57	4JH45	SCALE	1:10
CHECKED	SPECIALIST	QTY	-	-	MATERIAL	
DESIGNED	DRAWN	DATE: Y.M.D	NAME			
K. Shiga	F. Kishida	2017.2.27	4JH57-ZF25A-M-SHIFT			
			CODE	B2-29675-0070	REV. 1	DRAWN SIZE A2
YANMAR CO., LTD. DEVELOPMENT DIV.						

MANAGER  
1110