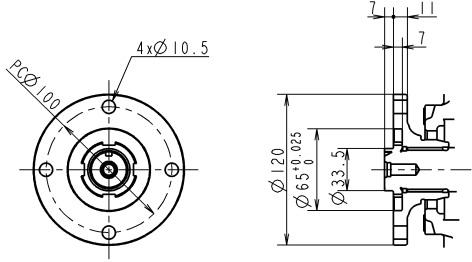
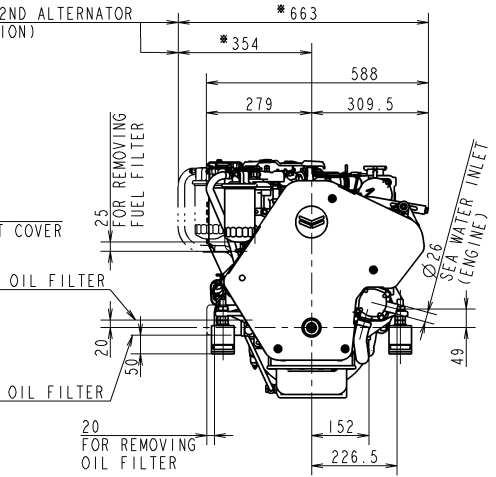
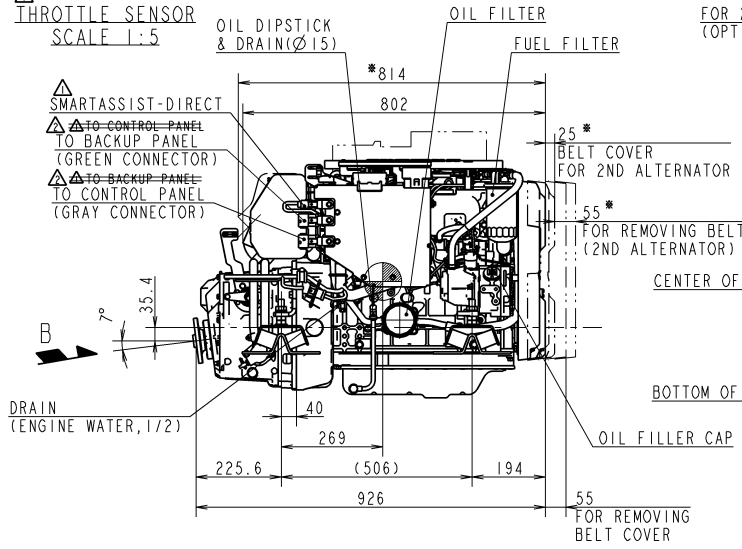
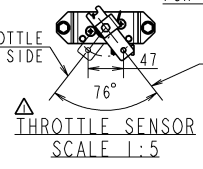
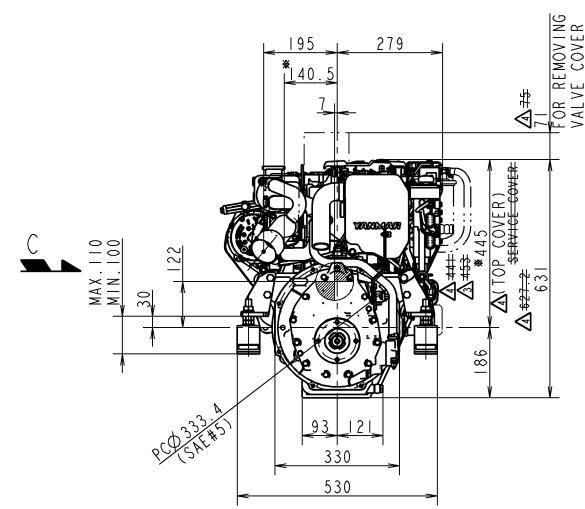
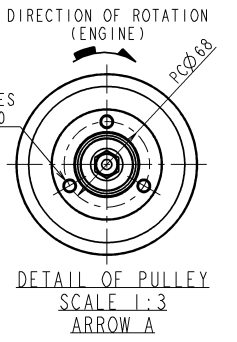
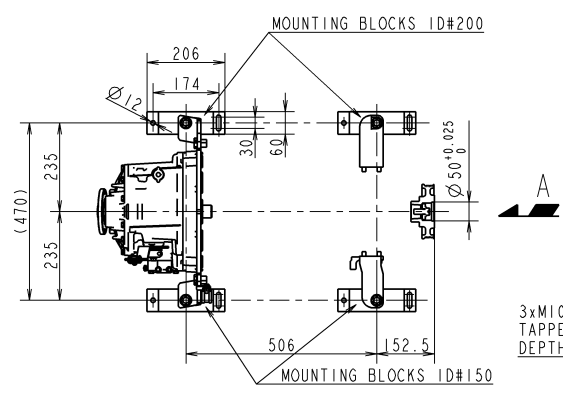
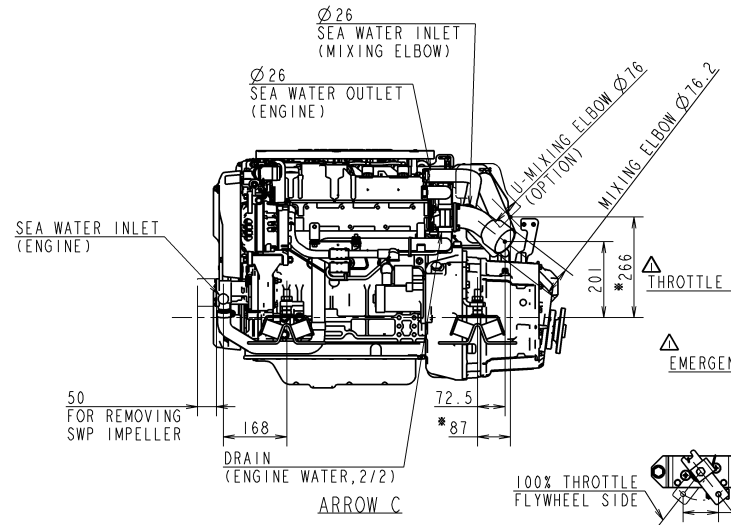


CAREER

改1形 YDSBD-14004にのみ本図を適用する。
 1改(2014.6.30)
 ・スロットルセンタ位置追加
 ・ベルトトレイン3Dモデル(フロント取水P用)追加
 ・緊急停止スイッチ位置追加
 ・各コネクタ位置追加
 (YDSBD-14012)(他田)
 2改(2014.7.18)
 コネクタ位置の修正を訂正する(YDSBD-14015)(他田)
 3改(2016.4.11)
 サービスカバーオプションを規定(YDSBD-16002)(他田)
 REV.4(2018.3.20) CHANGE TOP COVER AND BELT COVER (YDSBD-18002)



NOTE
 1. MOUNTING BLOCKS ARE COMPRESSED ABOUT 4mm BY ENGINE WEIGHT.
 2. DIMENSIONS OF MOUNTING BLOCK IN THIS DRAWING ARE WITHOUT ANY DEFORMATION.
 3. THE FIGURES MARKED WITH * SHOW THE DIMENSIONS WITH U-MIXING ELBOW OR OPTIONAL PARTS.
 4. Ⓞ SHOWS THE CENTER OF GRAVITY.

SPECIFICATIONS		
Model	4JH57	4JH45
Continuous Power(ISO 8665)	kW/min ⁻¹	38.1 / 2907 30.1 / 2907
Fuel Stop Power	Propeller shaft(ISO 8665) kW/min ⁻¹	---
	Crankshaft(ISO 8665) kW/min ⁻¹	41.9 / 3000 33.1 / 3000
Reduction ratio		1.47 2.14 2.63 1.47 2.14 2.63
Dry mass	kg	Approx.253
Direction of rotation at output coupling(Forward)		BOTH

SEC. MANAGER 北本	CHECKED 北本	DESIGNED Y. Nuta	DRAWN A. Hori	DATE: Y.M.D 2014.3.17	MODEL 4JH 57 4JH 45	QTY -	SCALE 1:10	MATERIAL
OUTLINE, 4JH57-KM4A1					CODE B2-29675-0041		MANAGER 1110	DRAWN SIZE A2

YANMAR
 YANMAR CO., LTD. DEVELOPMENT DIV.